

M36 MIG/MAG-Welding Torch.

The robust high-quality classic torch



MIG/MAG-Welding Torch

The robust high-quality classic torch:

Top quality throughout the world
 Ergonomic and technically matured and 100% reliable
 Optimum torch cooling - high endurance
 Time-saving torch replacement thanks to EURO connector

LINDE welding torches incorporate the high quality and technology needed for trouble-free performance whatever the welding job. All the torches have been thought through down to the last detail and guarantee exact and comfortable work.

M36 (air cooled)

The tried and trusted quality torch for use through the whole application area of apparatus, vehicle, machine and steel constructions.

Arguments speaking for themselves:

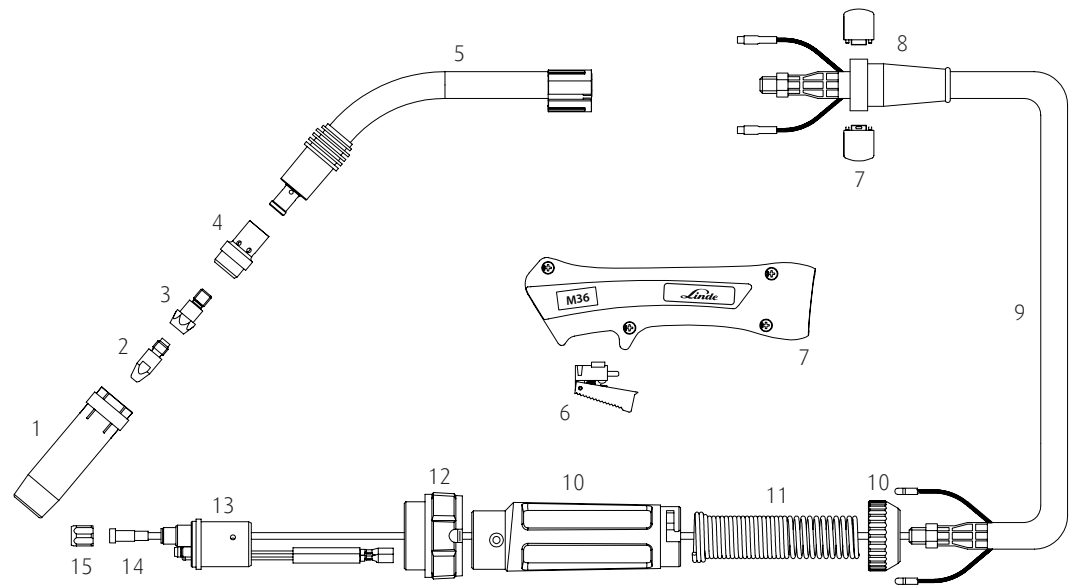
- Optimum torch cooling - high endurance
- Ergonomically designed handle system - optimum handling in every position
- Ball joint with optimum transaction radius – perfect handling
- Light and highly flexible cable assembly makes low-fatigue possible
- Robust construction for durability and extended torch life

Technical data according to EN 60 974-7:

Cooling: air cooled
 Rating: 300 A CO₂
 270 A mixed gas M21 according to DIN EN 439
 60% duty cycle
 Wire-Ø: 0.8 – 1.2 mm

Rated using power source with VDE standard volt/amp characteristic ($U=14+0.05xI$). When pulse welding, reduce rating by 35%.

Wear- and Sparepart List



MIG/MAG-Welding Torch

Type	Linde PN
M36 – 3.0m	51/312004-L
M36 – 4.0m	51/312005-L
M36 – 5.0m	51/312010-L

Wear parts

Pos.	Description	Linde PN	
1	Gas Nozzle cylindrical	Ø 19 x 84 mm	50/023604-L
	Gas Nozzle conical	Ø 16 x 84 mm	50/023605-L
	Gas Nozzle tapered	Ø 12 x 84 mm	50/023606-L
2	Contact tip E-Cu	Ø 0.8 x 28 mm, M6	50/001302-L
	Contact tip E-Cu	Ø 1.0 x 28 mm, M6	50/001304-L
	Contact tip E-Cu	Ø 1.2 x 28 mm, M6	50/001305-L
	Contact tip E-Cu for Al	Ø 0.8 x 28 mm, M6	50/003302-L
	Contact tip E-Cu for Al	Ø 1.0 x 28 mm, M6	50/003304-L
	Contact tip E-Cu for Al	Ø 1.2 x 28 mm, M6	50/003305-L
	Contact tip CuCrZr	Ø 0.8 x 28 mm, M6	50/002302-L
	Contact tip CuCrZr	Ø 1.0 x 28 mm, M6	50/002304-L
	Contact tip CuCrZr	Ø 1.2 x 28 mm, M6	50/002305-L
	Contact tip E-Cu	Ø 0.8 x 30 mm, M8	50/001402-L
	Contact tip E-Cu	Ø 1.0 x 30 mm, M8	50/001404-L
	Contact tip E-Cu	Ø 1.2 x 30 mm, M8	50/001405-L
	Contact tip E-Cu for Al	Ø 0.8 x 30 mm, M8	50/003402-L
	Contact tip E-Cu for Al	Ø 1.0 x 30 mm, M8	50/003404-L
	Contact tip E-Cu for Al	Ø 1.2 x 30 mm, M8	50/003405-L
Contact tip CuCrZr	Ø 0.8 x 30 mm, M8	50/002402-L	
Contact tip CuCrZr	Ø 1.0 x 30 mm, M8	50/002404-L	
Contact tip CuCrZr	Ø 1.2 x 30 mm, M8	50/002405-L	

Adress of the respective country

Wear parts

Pos.	Description		Linde PN	
3	Contact tip holder	M6x28 mm	50/013601-L	
	Contact tip holder	M6x28 mm	50/013602-L	
4	Gas diffuser	Standard	50/030360-L	
	Gas diffuser	Ceramic	24/00006-L	
5	Swan neck M36 complete		50/040036-L	
6	Trigger		58/000044-L	
7	Handle complete with ball joint		58/000105-L	
8	Cable support, large		58/000063-L	
9	Coaxial cable 3.0m		58/000060-L	
	Coaxial cable 4.0m		58/000061-L	
	Coaxial cable 5.0m		58/000062-L	
10	Cable support machine side complete		58/000049-L	
11	Cable support spring		58/000062-L	
12	Adaptor nut M33x2		58/000024-L	
13	Central connector		58/000050-L	
14	Liner insulated	Ø 0.8 for 3 m	50/054001-L	
	Liner insulated	Ø 1.0 for 3 m	50/054004-L	
	Liner insulated	Ø 1.2 for 3 m	50/054004-L	
	Teflon liner	Ø 0.8 for 3 m	50/055001-L	
	Teflon liner	Ø 1.0 for 3 m	50/055002-L	
	Teflon liner	Ø 1.2 for 3 m	50/055002-L	
	Liner insulated	Ø 0.8 for 4 m	50/054002-L	
	Liner insulated	Ø 1.0 for 4 m	50/054005-L	
	Liner insulated	Ø 1.2 for 4 m	50/054005-L	
	Teflon liner	Ø 0.8 for 4 m	50/055004-L	
	Teflon liner	Ø 1.0 for 4 m	50/055005-L	
	Teflon liner	Ø 1.2 for 4 m	50/055005-L	
	Liner insulated	Ø 0.8 for 5 m	50/054003-L	
	Liner insulated	Ø 1.0 for 5 m	50/054006-L	
	Liner insulated	Ø 1.2 for 5 m	50/054006-L	
	Teflon liner	Ø 0.8 for 5 m	50/055007-L	
	Teflon liner	Ø 1.0 for 5 m	50/055008-L	
	Teflon liner	Ø 1.2 for 5 m	50/055008-L	
	15	Nut M10x1		58/000041-L

Address of the respective country

