

M501D MIG/MAG-Welding Torch.

The robust high-quality classic torch



MIG/MAG-Welding Torch

The robust high-quality classic torch:

Top quality throughout the world
Ergonomic and technically matured and 100% reliable
Optimum torch cooling - high endurance
Time-saving torch replacement thanks to EURO connector

LINDE welding torches incorporate the high quality and technology needed for trouble-free performance whatever the welding job. All the torches have been thought through down to the last detail and guarantee exact and comfortable work.

M501D (Liquid cooled)

The tried and trusted quality torch for use through the whole application area of apparatus, vehicle, machine and steel constructions.

Arguments speaking for themselves:

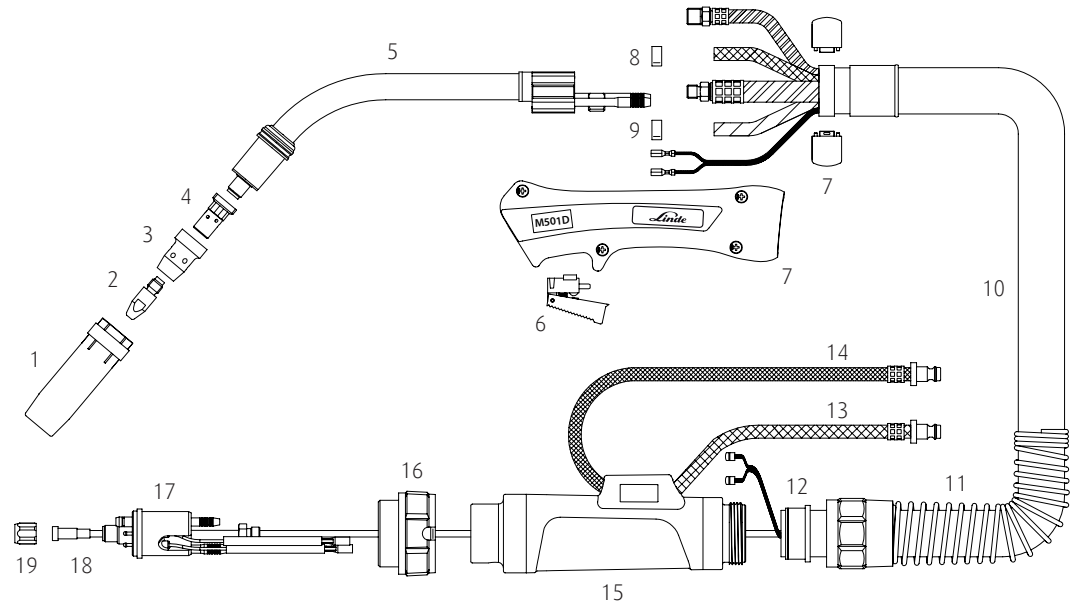
- Optimum torch cooling - high endurance
- Ergonomically designed handle system - optimum handling in every position
- Ball joint with optimum transition radius – perfect handling
- Light and highly flexible cable assembly makes low-fatigue possible
- Robust construction for durability and extended torch life

Technical data according to EN 60 974-7:

Cooling: air cooled
Rating: 500 A CO₂
450 A mixed gas M21 according to DIN EN 439
100% duty cycle
Wire-Ø: 1.0 – 1.6 mm

Rated using power source with VDE standard volt/amp characteristic ($U=14+0.05xI$). When pulse welding, reduce rating by 35%. Recommended cooling capacity of water recirculator approx. 800W.

Wear- and Sparepart List



MIG/MAG-Welding Torch

Type	Linde PN
M501D – 3.0m	51/312011-L
M501D – 4.0m	51/312006-L
M501D – 5.0m	51/312012-L

Wear parts

Pos.	Description	Linde PN		
1	Gas Nozzle cylindrical	Ø 20 x 76 mm	50/022600-L	
	Gas Nozzle conical	Ø 16 x 76 mm	50/022601-L	
	Gas Nozzle tapered	Ø 14 x 76 mm	50/022606-L	
2	Contact tip E-Cu	Ø 0.8 x 28 mm, M6	50/001302-L	
	Contact tip E-Cu	Ø 1.0 x 28 mm, M6	50/001304-L	
	Contact tip E-Cu	Ø 1.2 x 28 mm, M6	50/001305-L	
	Contact tip E-Cu	Ø 1.6 x 28 mm, M6	50/221307-L	
	Contact tip E-Cu for Al	Ø 0.8 x 28 mm, M6	50/003302-L	
	Contact tip E-Cu for Al	Ø 1.0 x 28 mm, M6	50/003304-L	
	Contact tip E-Cu for Al	Ø 1.2 x 28 mm, M6	50/003305-L	
	Contact tip E-Cu for Al	Ø 1.6 x 28 mm, M6	50/003307-L	
	Contact tip CuCrZr	Ø 0.8 x 28 mm, M6	50/002302-L	
	Contact tip CuCrZr	Ø 1.0 x 28 mm, M6	50/002304-L	
	Contact tip CuCrZr	Ø 1.2 x 28 mm, M6	50/002305-L	
	Contact tip CuCrZr	Ø 1.6 x 28 mm, M6	50/002307-L	
Contact tip E-Cu	Contact tip E-Cu	Ø 0.8 x 30 mm, M8	50/001402-L	
	Contact tip E-Cu	Ø 1.0 x 30 mm, M8	50/001404-L	
	Contact tip E-Cu	Ø 1.2 x 30 mm, M8	50/001405-L	
	Contact tip E-Cu	Ø 1.6 x 30 mm, M8	50/001407-L	
	Contact tip E-Cu for Al	Contact tip E-Cu for Al	Ø 0.8 x 30 mm, M8	50/003402-L
		Contact tip E-Cu for Al	Ø 1.0 x 30 mm, M8	50/003404-L
		Contact tip E-Cu for Al	Ø 1.2 x 30 mm, M8	50/003405-L

Adress of the respective country

Wear parts

Pos.	Description		Linde PN
2	Contact tip	E-Cu for Al	50/003407-L
	Contact tip	CuCrZr	50/002402-L
	Contact tip	CuCrZr	50/002404-L
	Contact tip	CuCrZr	50/002405-L
	Contact tip	CuCrZr	50/002407-L
3	Gas diffusor	Standard	50/035010-L
	Gas diffusor	Ceramic	24/00001-L
4	Contact tip holder	M6x25 mm	50/015012-L
	Contact tip holder	M8x25 mm	50/015011-L
5	Swan neck M501D complete		50/040501-L
6	Trigger		58/000044-L
7	Handle complete with ball joint		58/000105-L
8	Hose clamp 10.0		58/000064-L
9	Hose clamp 8.7		58/000021-L
10	Cable assembly cpl. for 3m		58/000065-L
	Cable assembly cpl. for 4m		58/000066-L
	Cable assembly cpl. for 5m		58/000067-L
11	Cable support spring		58/000025-L
12	Clip complete		58/000074-L
13	Water nipple		58/000028-L
14	Hose 5.5x1.5 cpl. with water nipple		58/000075-L
15	Cable support machine side cpl.		58/000077-L
16	Adaptor nut M33x2		58/000024-L
17	Central connector		58/000076-L
18	Liner insulated	Ø 0.8 for 3 m	50/053001-L
	Liner insulated	Ø 1.0 for 3 m	50/053004-L
	Liner insulated	Ø 1.2 for 3 m	50/053004-L
	Liner insulated	Ø 1.6 for 3 m	50/053007-L
	Teflon liner	Ø 0.8 for 3 m	50/055001-L
	Teflon liner	Ø 1.0 for 3 m	50/055002-L
	Teflon liner	Ø 1.2 for 3 m	50/055002-L
	Teflon liner	Ø 1.6 for 3 m	50/055003-L
	Liner insulated	Ø 0.8 for 4 m	50/053002-L
	Liner insulated	Ø 1.0 for 4 m	50/053005-L
	Liner insulated	Ø 1.2 for 4 m	50/053005-L
	Liner insulated	Ø 1.6 for 4 m	50/053008-L
	Teflon liner	Ø 0.8 for 4 m	50/055004-L
	Teflon liner	Ø 1.0 for 4 m	50/055005-L
	Teflon liner	Ø 1.2 for 4 m	50/055005-L
	Teflon liner	Ø 1.6 for 4 m	50/055006-L
	Liner insulated	Ø 0.8 for 5 m	50/053003-L
	Liner insulated	Ø 1.0 for 5 m	50/053006-L
	Liner insulated	Ø 1.2 for 5 m	50/053006-L
	Liner insulated	Ø 1.6 for 5 m	50/053009-L
	Teflon liner	Ø 0.8 for 5 m	50/055007-L
	Teflon liner	Ø 1.0 for 5 m	50/055008-L
	Teflon liner	Ø 1.2 for 5 m	50/055008-L
	Teflon liner	Ø 1.6 for 5 m	50/055009-L
19	Nut M10x1		58/000041-L

Adress of the respective country

Adress of the respective country
