

T18 TIG-Welding Torch.

The robust high-quality classic torch



TIG-Welding Torch

The tried and tested TIG welding torch generation:

Efficient cooling design extends torch life and minimizes downtime due to overheating
 High-temperature silicone rubber insulation provides best protection against high frequency leakage
 Light and flexible cable assemblies
 Multiple configurations of wear parts meet the demands of nearly any application
 Consumables are compatible to the international standard

LINDE welding torches incorporate the high quality and technology needed for trouble-free performance whatever the welding job. All the torches have been thought through down to the last detail and guarantee exact and comfortable work.

T18 (Liquid cooled)

For welding alloyed steels, aluminium, magnesium, copper and their alloys, grey cast iron, bronzes, nickel, silver, titanium, lead and unalloyed steels.

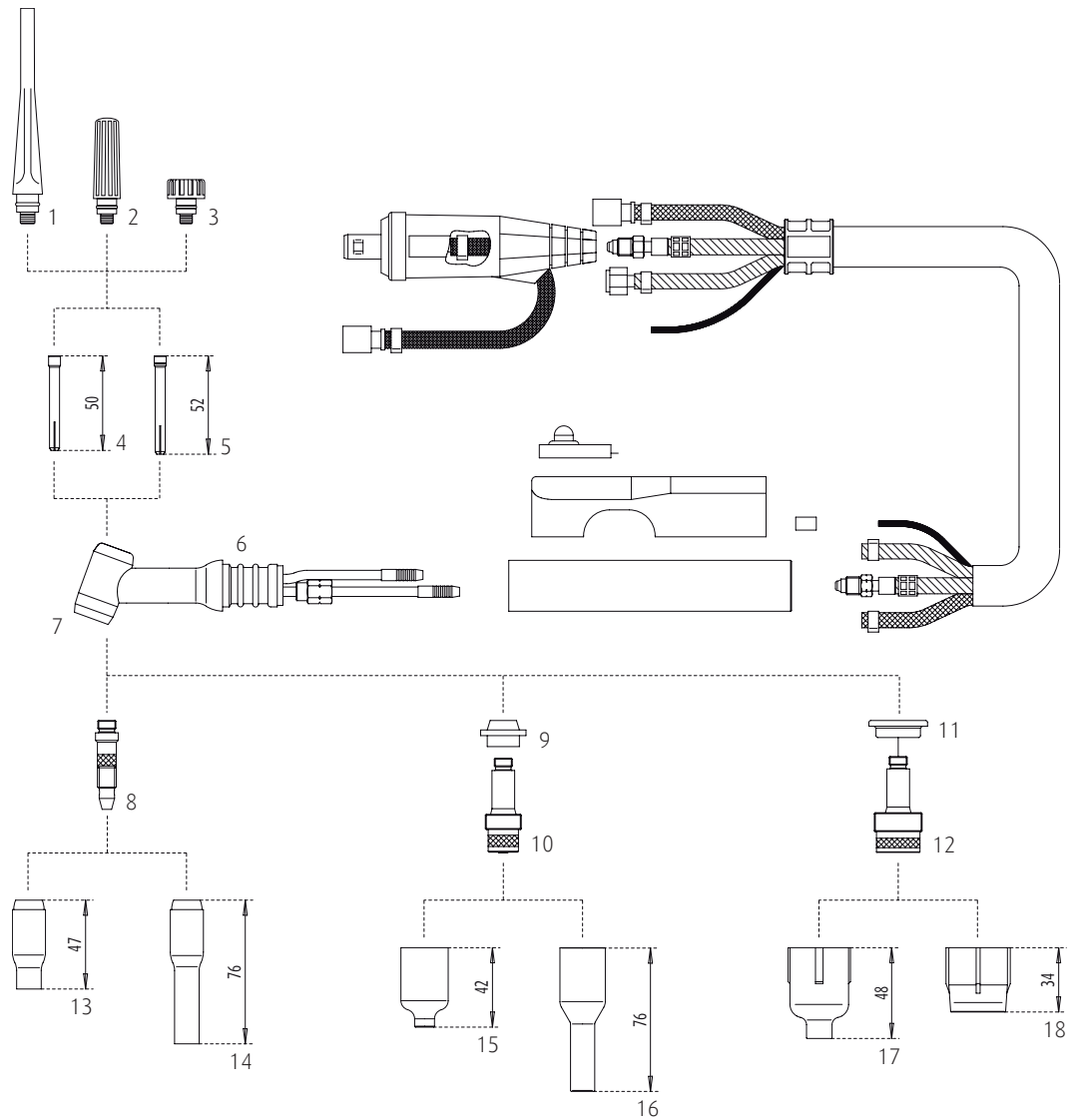
Arguments speaking for themselves:

- Tried and trusted technology
- Optimum torch cooling
- Light and flexible cable assembly
- Wearing parts compatible with international standard

Technical data according to EN 60 974-7:

Cooling: Liquid cooled
 Rating: 320 A DC
 230 A AC
 100% duty cycle
 Electrodes-Ø: 0.5 – 4.0 mm

Wear- and Sparepart List



Wear parts

Pos	Description		Linde PN	
1	Back Cap	long	57Y02	40/00212-L
2	Back Cap	medium	300M	40/00213-L
3	Back Cap	short	57Y04	40/00211-L
4	Collet	0.5 x 50.0 mm	10N21	40/00311-L
	Collet	1.0 x 50.0 mm	10N22	40/00312-L
	Collet	1.6 x 50.0 mm	10N23	40/00313-L
	Collet	2.4 x 50.0 mm	10N24	40/00314-L
	Collet	3.2 x 50.0 mm	10N25	40/00315-L
	Collet	4.0 x 50.0 mm	54N20	40/00316-L
5	Collet	0.5 x 52.0 mm	10N21D	40/00331-L
	Collet	1.0 x 52.0 mm	10N22D	40/00332-L
	Collet	1.6 x 52.0 mm	10N23D	40/00333-L
	Collet	2.4 x 52.0 mm	10N24D	40/00334-L
	Collet	3.2 x 52.0 mm	10N25D	40/00335-L
	Collet	4.0 x 52.0 mm	54N20D	40/00336-L

Address of the respective country

Wear parts

Pos	Description		Linde PN	
6	Torch Body	SR-18	40/00103-L	
7	Insulator	18CG	40/00611-L	
8	Collet Body	0.5-1.0 mm	10N30	40/00411-L
	Collet Body	1.6 mm	10N31	40/00412-L
	Collet Body	2.0 mm	10N2x	40/00419-L
	Collet Body	2.4 mm	10N32	40/00413-L
	Collet Body	3.2 mm	10N28	40/00414-L
	Collet Body	4.0 mm	406488	40/00415-L
	9	Adaptor	54N01	40/00612-L
10	Collet Body with gas lens	0.5-1.0 mm	45V24	40/00511-L
	Collet Body with gas lens	1.6 mm	45V25	40/00512-L
	Collet Body with gas lens	2.0-2.4 mm	45V26	40/00513-L
	Collet Body with gas lens	3.2 mm	45V27	40/00514-L
	Collet Body with gas lens	4.0 mm	45V28	40/00515-L
11	Adaptor	54N63	40/00613-L	
12	Collet Body with Jumbo gas lens	1.6 mm	45V116	40/00521-L
	Collet Body with Jumbo gas lens	2.4 mm	45V64	40/00522-L
	Collet Body with Jumbo gas lens	3.2 mm	995795	40/00523-L
	Collet Body with Jumbo gas lens	4.0 mm	45V63	40/00524-L
13	Gas Nozzle, Ceramic	Size 4, 47 mm	10N50	20/00028-L
	Gas Nozzle, Ceramic	Size 5, 47 mm	10N49	20/00029-L
	Gas Nozzle, Ceramic	Size 6, 47 mm	10N48	20/00030-L
	Gas Nozzle, Ceramic	Size 7, 47 mm	10N47	20/00031-L
	Gas Nozzle, Ceramic	Size 8, 47 mm	10N46	20/00032-L
	Gas Nozzle, Ceramic	Size 10, 47 mm	10N45	20/00033-L
14	Gas Nozzle, Ceramic	Size 5, 76 mm	10N49L	20/00036-L
	Gas Nozzle, Ceramic	Size 6, 76 mm	10N48L	20/00037-L
	Gas Nozzle, Ceramic	Size 7, 76 mm	10N47L	20/00038-L
15	Gas Nozzle, Ceramic	Size 4, 42 mm	54N18	20/00044-L
	Gas Nozzle, Ceramic	Size 5, 42 mm	54N17	20/00045-L
	Gas Nozzle, Ceramic	Size 6, 42 mm	54N16	20/00046-L
	Gas Nozzle, Ceramic	Size 7, 42 mm	54N15	20/00047-L
	Gas Nozzle, Ceramic	Size 8, 42 mm	54N14	20/00048-L
	Gas Nozzle, Ceramic	Size 12, 42 mm	54N19	20/00043-L
16	Gas Nozzle, Ceramic	Size 5, 76 mm	54N17L	20/00051-L
	Gas Nozzle, Ceramic	Size 6, 76 mm	54N16L	20/00052-L
	Gas Nozzle, Ceramic	Size 7, 76 mm	54N15L	20/00053-L
17	Gas Nozzle, Ceramic	Size 6, 48 mm	57N75	20/00054-L
	Gas Nozzle, Ceramic	Size 8, 48 mm	57N74	20/00055-L
	Gas Nozzle, Ceramic	Size 10, 48 mm	53N88	20/00056-L
	Gas Nozzle, Ceramic	Size 12, 48 mm	53N87	20/00057-L
18	Gas Nozzle, Ceramic	34 mm	53N89	20/00058-L

Adress of the respective country

Address of the respective country
